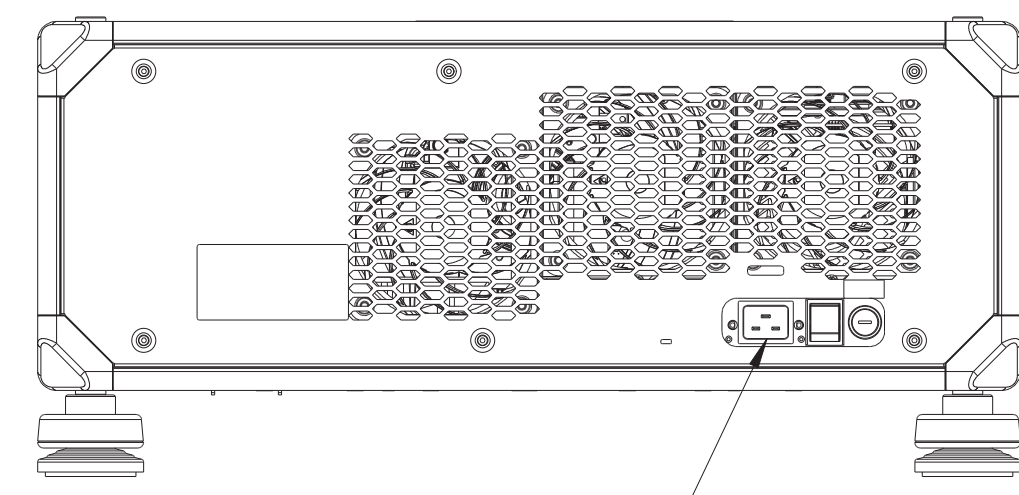
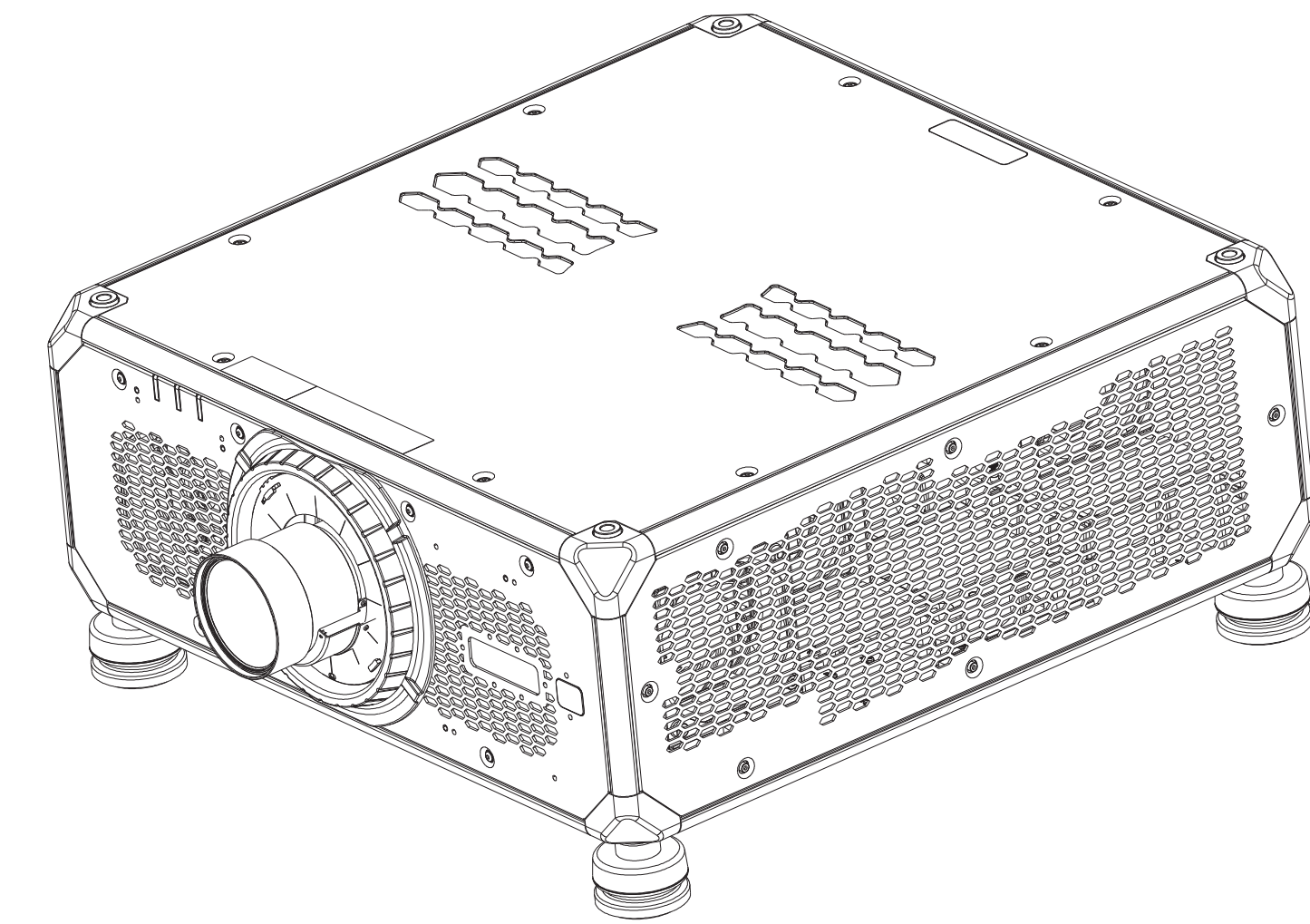
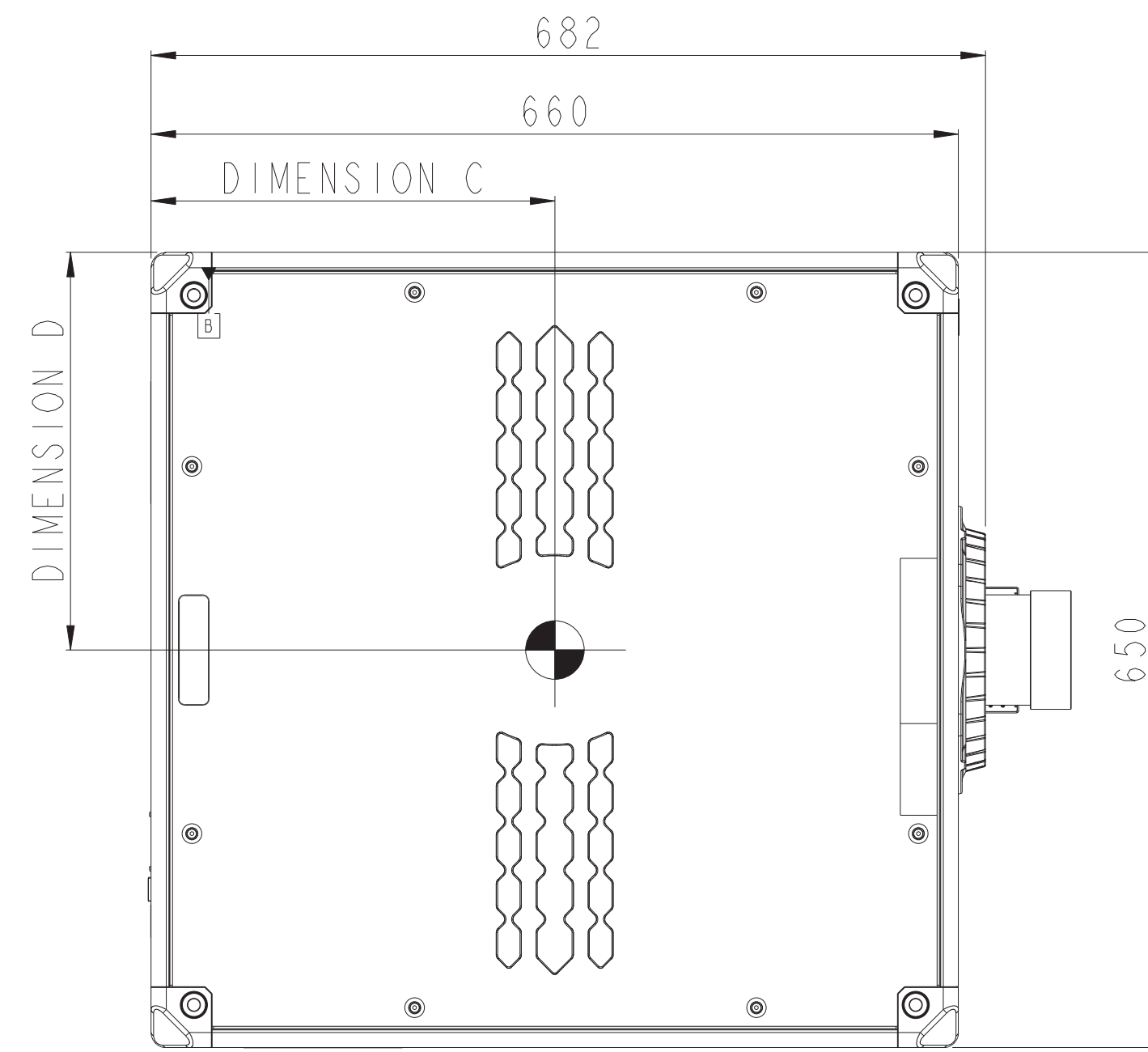
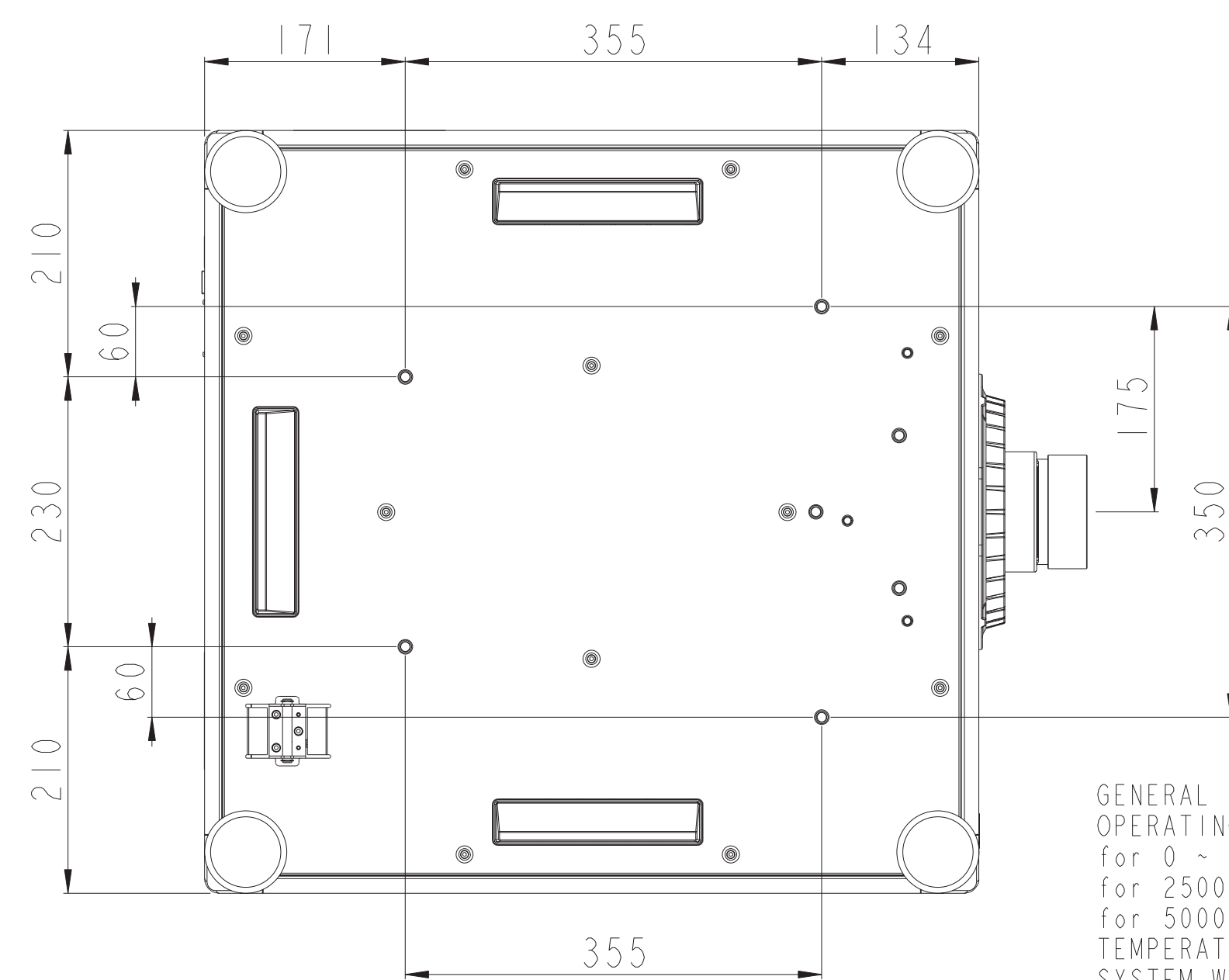
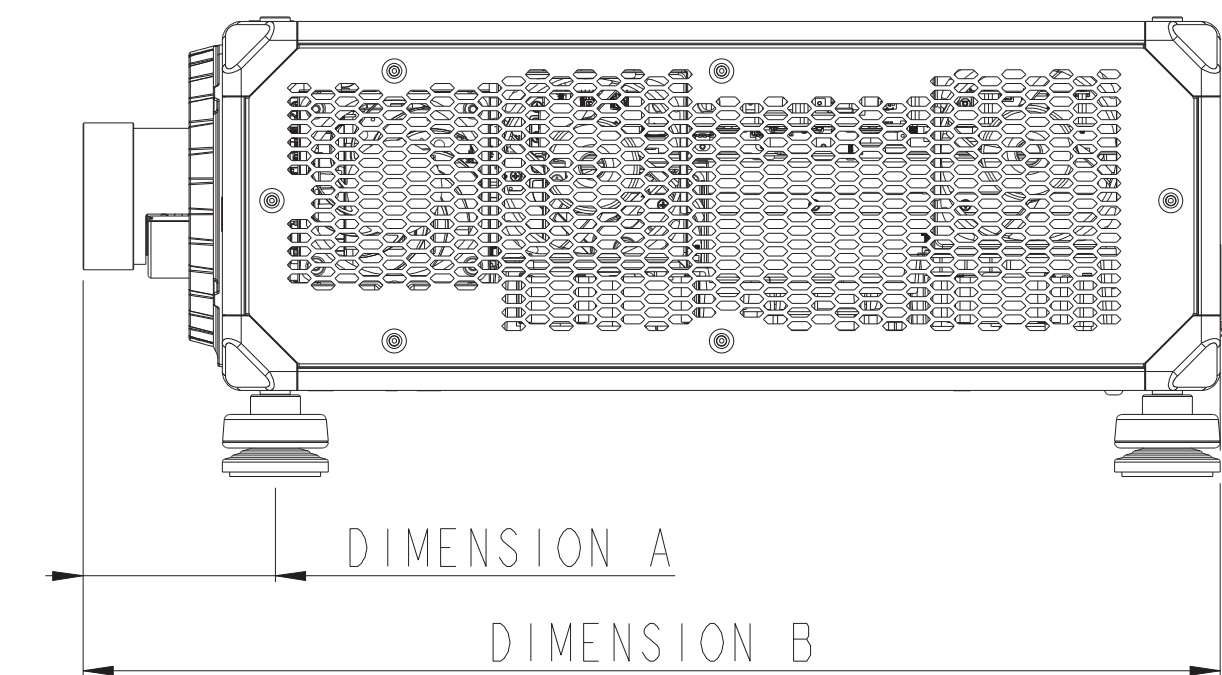
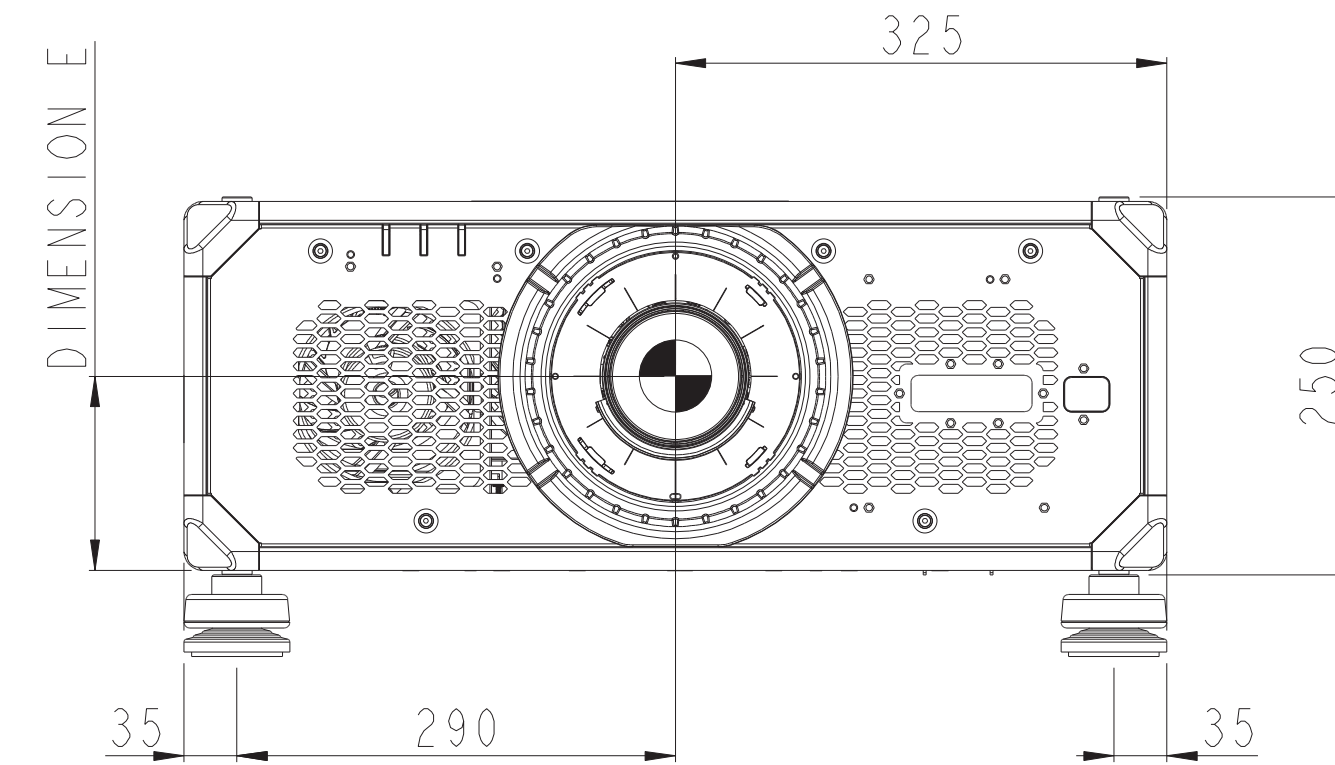
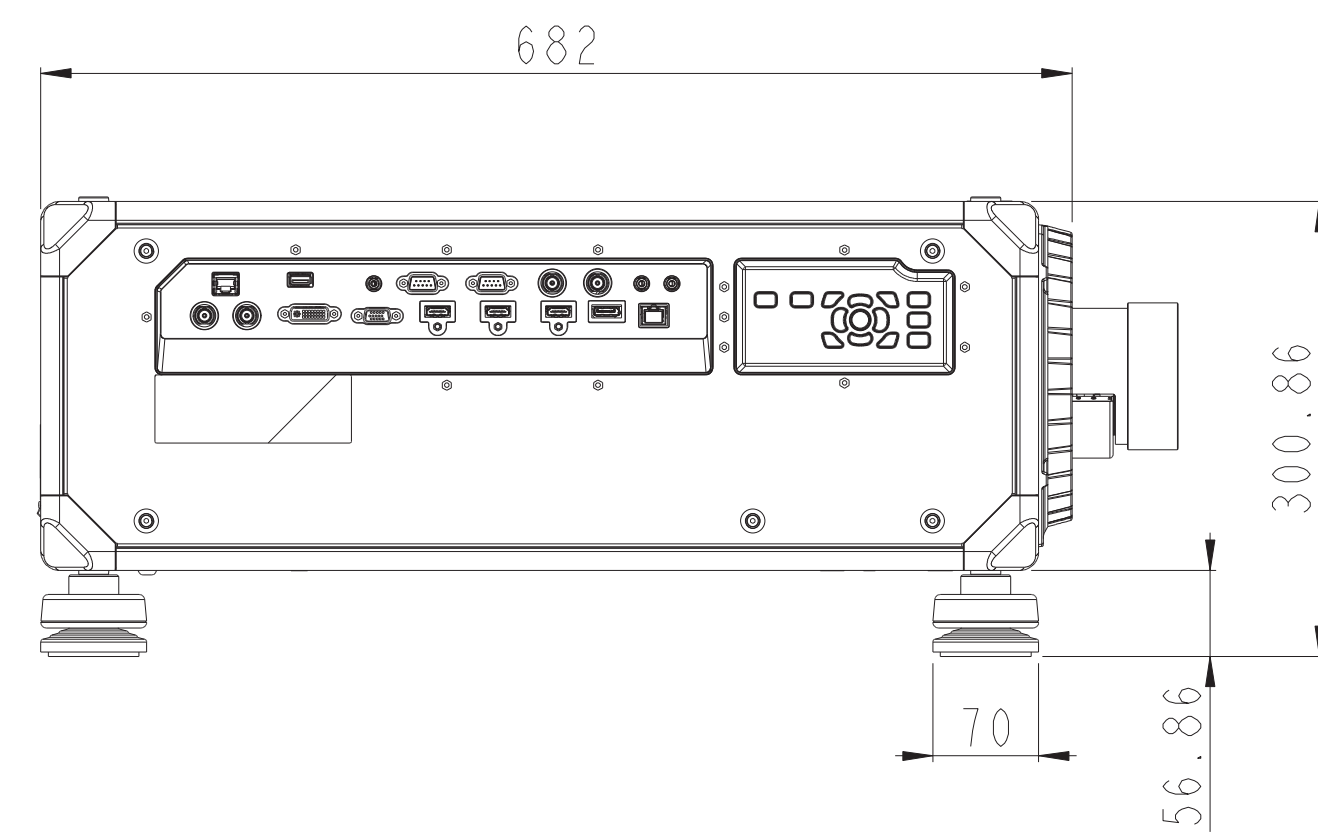


DRAWN		Chihhao Wang	20210526	Coretronic Corporation
ENG.		Chihhao Wang	20210526	
CHK.		Vicky Chung	20210526	NAME :
APPD.		Gary Tseng	20210526	SYSTEM ASSY OPTOMA A65
TITLE		OPTOMA A65	PART NO.	DC.TGMD1G001
SCALE		UNIT	MATERIAL	FINISH
Rev.		Initialed	Date	Description
ECR NO.		100-300	±0.5	ANGLE
LIMITS UNLESS OTHERWISE NOTED		1-6	±0.1	300-1000
		6-30	±0.2	1000-2000
		30-100	±0.3	2000-
		100-300	±0.5	ANGLE
		SCALE	UNIT	MATERIAL
		SCALE	UNIT	MATERIAL
		SCALE	UNIT	MATERIAL



POWER CORD LOCATION

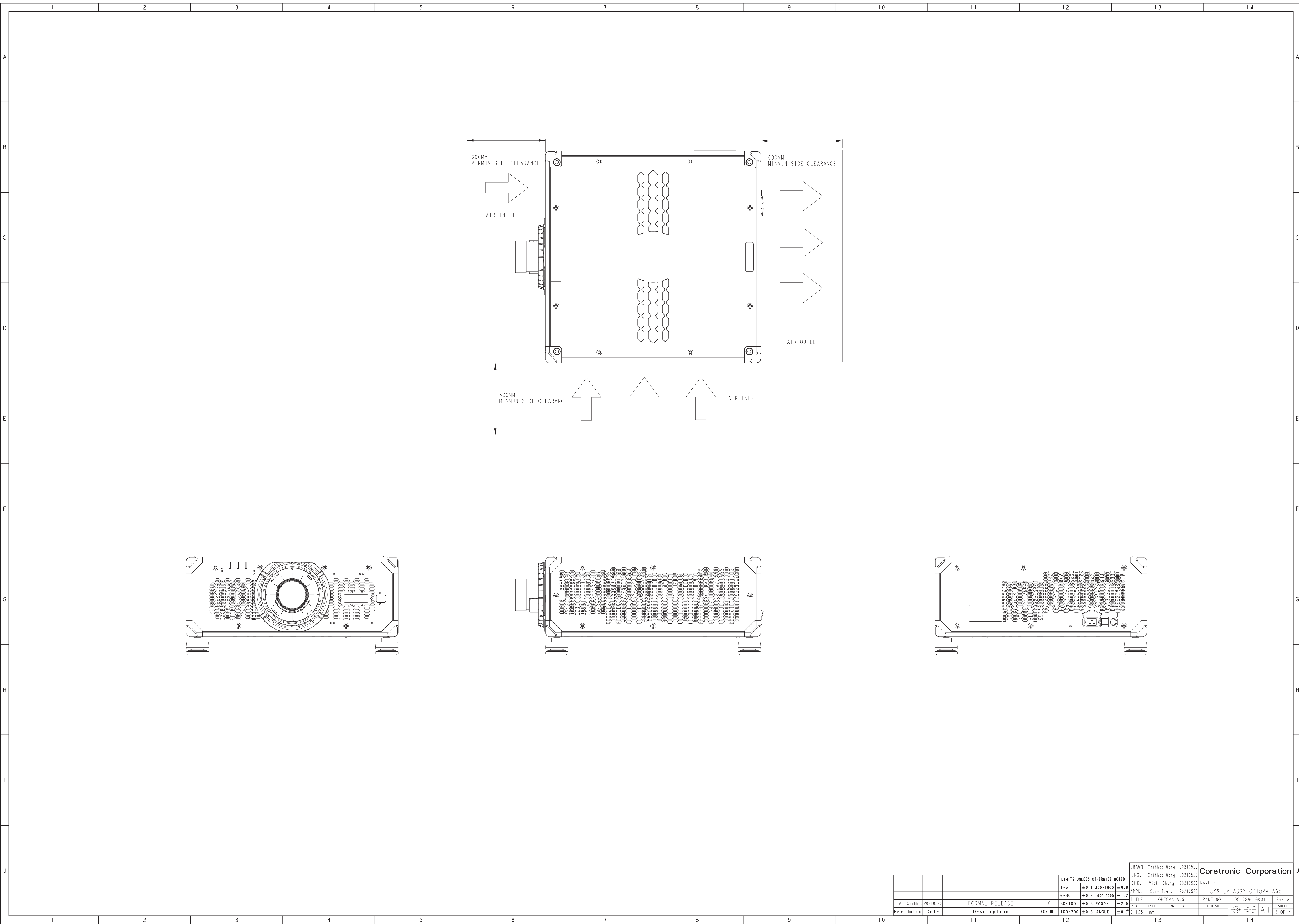


DESCRIPTION	DIMENSION A		DIMENSION B		DIMENSION C		DIMENSION D		DIMENSION E	
	ZU2200/ZU1900	ZU2200/ZU1900	ZU2200	ZU1900	ZU2200	ZU1900	ZU2200	ZU1900	ZU2200	ZU1900
Optional Lens A11(TR:0.65-0.75)	167.1	792.1	345	365						
Optional Lens A18(TR:0.84-1.02)	138.1	763.1	350	365						
Optional Lens A19(TR:1.02-1.36)	91.5	716.5	345	362						
Optional Lens A20(TR:1.2-1.5)	141.868	766.868	345	365						
Standard Lens A21(TR:1.5-2)	127.1	752.1	345	362	325	320	148.35	128.35		
Optional Lens A22(TR:2-4)	161.309	786.309	345	365						
Optional Lens A23(TR:4-7.2)	186.281	811.281	345	365						
Optional Lens A27(TR:7.2-10.8)	258.15	883.15	375	385						

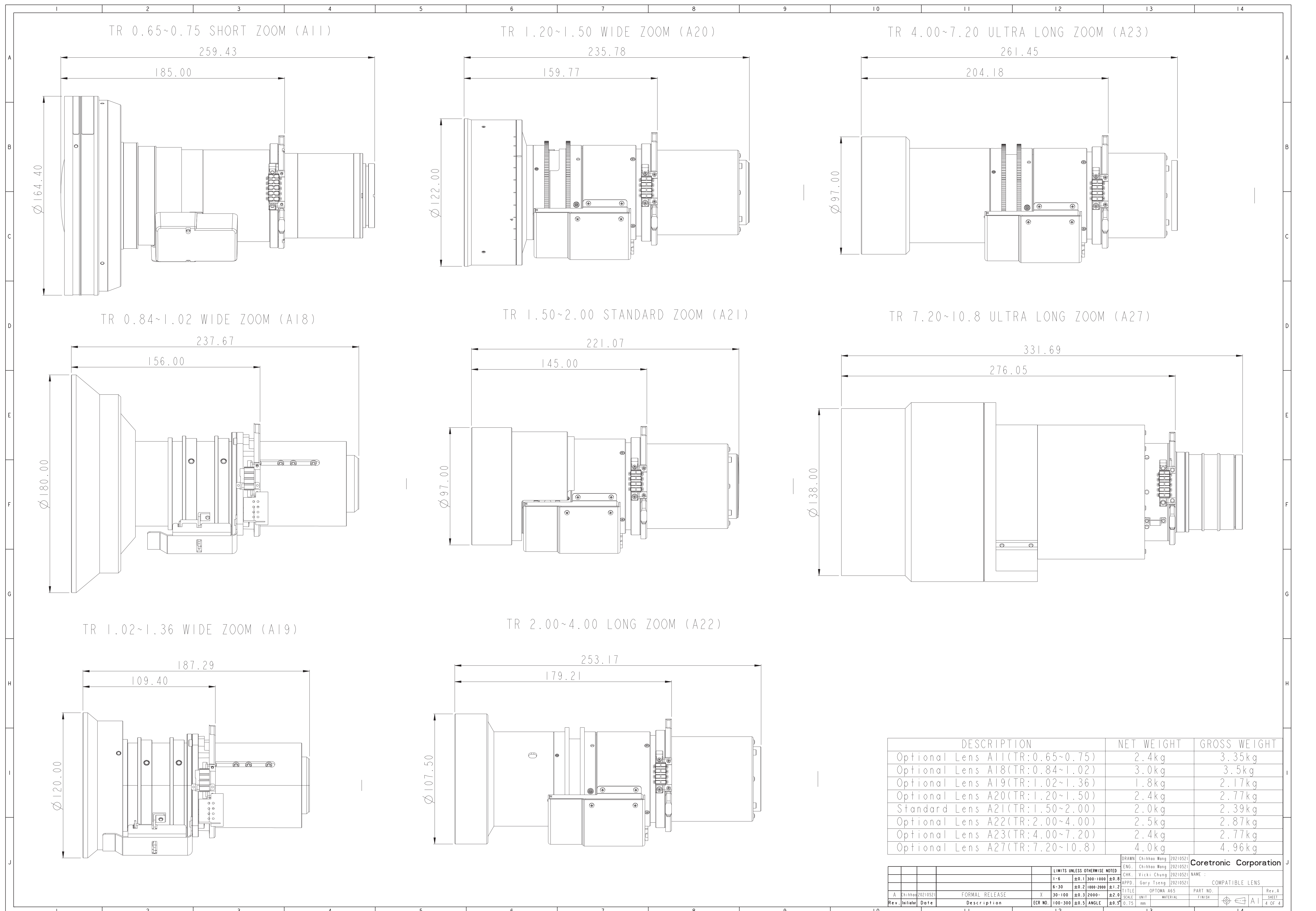
GENERAL NOTES
 OPERATING TEMPERATURE RANGE:
 for 0 ~ 2500 FT, 0 ~ 50°C, UNIT SHUTDOWN@53±2°C
 for 2500 ~ 5000 FT, 0 ~ 50°C
 for 5000 ~ 10000 FT, 0 ~ 45°C
 TEMPERATURE >40°C OR ALTITUDE > 5000 FT,
 SYSTEM WILL DIM OUTPUT BRIGHTNESS FOR PROJECTOR WORKS NORMALLY.

INPUT:
 AC 100-240V~,50/60Hz,20A
 AC 200-240V~,50/60Hz,13.2A

DRWN	Chihhao Wang	20210630	Coretronic Corporation	
ENG	Chihhao Wang	20210630	NAME	
CHK	Vicki Change	20210630	SYSTEM ASSY OPTOMA A65	
APPD	Gary Tseng	20210630	PART NO. DC.T6W01G001 Rev.A	
TITLE	OPTOMA A65		SHEET 2 OF 4	
SCALE	UNIT	MATERIAL	FINISH	
Rev	Initial	Date	Description	ECR NO.
1-6				
6-30				
30-100				
100-300				
LIMITS UNLESS OTHERWISE NOTED				
1-6	±0.1	300-1000	±0.8	
6-30	±0.2	1000-2000	±1.2	
30-100	±0.3	2000-	±2.0	
100-300	±0.5	ANGLE	±0.5°	
SCALE	UNIT	MATERIAL	FINISH	
0.125	mm			



DRAWN		Chihhao Wang	20210520	Coretronic Corporation	
ENG.		Chihhao Wang	20210520	NAME :	
CHK.		Yicki Chung	20210520	SYSTEM ASSY OPTOMA A65	
APPD.		Gary Tseng	20210520	PART NO. DC.TG01G001 Rev. A	
TITLE		OPTOMA A65	20210520	SHEET 3 OF 4	
Rev.	initia	Date	Description	ECR NO.	SCALE
A	Chihhao	20210520	FORMAL RELEASE	X	30-100 ±0.3 2000- ±2.0
				100-300 ±0.5	ANGLE ±0.5°
LIMITS UNLESS OTHERWISE NOTED					
	1-6	±0.1	300-1000	±0.8	
	6-30	±0.2	1000-2000	±1.2	
SCALE		UNIT MATERIAL FINISH			
0:125		mm			



TR 0.65~0.75 SHORT ZOOM (A11)

TR 1.20~1.50 WIDE ZOOM (A20)

TR 4.00~7.20 ULTRA LONG ZOOM (A23)

TR 0.84~1.02 WIDE ZOOM (A18)

TR 1.50~2.00 STANDARD ZOOM (A21)

TR 7.20~10.8 ULTRA LONG ZOOM (A27)

TR 1.02~1.36 WIDE ZOOM (A19)

TR 2.00~4.00 LONG ZOOM (A22)

DESCRIPTION	NET WEIGHT	GROSS WEIGHT
Optional Lens A11(TR:0.65~0.75)	2.4kg	3.35kg
Optional Lens A18(TR:0.84~1.02)	3.0kg	3.5kg
Optional Lens A19(TR:1.02~1.36)	1.8kg	2.17kg
Optional Lens A20(TR:1.20~1.50)	2.4kg	2.77kg
Standard Lens A21(TR:1.50~2.00)	2.0kg	2.39kg
Optional Lens A22(TR:2.00~4.00)	2.5kg	2.87kg
Optional Lens A23(TR:4.00~7.20)	2.4kg	2.77kg
Optional Lens A27(TR:7.20~10.8)	4.0kg	4.96kg

DRAWN: Chihhao Wang 20210521		CHK: Chihhao Wang 20210521		APPD: Gary Tseng 20210521		TITLE: OPTOMA A65		PART NO.:		COMPATIBLE LENS		Rev. A	
FORMAL RELEASE		X		100-300		±0.3		2000-		±2.0		4 OF 4	
Description		ECR NO.		100-300		±0.5		ANGLE		±0.5°		4 OF 4	